



## Bathtub - CL.1

Single-lever tub mixer for freestanding installation with hand shower set - polished chrome

Article number: 25 863 705-00



- 9-3/8" Projection
- Rectangular aerator with 55 individual streams
- Hand shower set: Standard spray
- Baton hand shower with descaling system
- Hand shower bracket
- Integrated diverter
- Total height 36-3/4" - 39-5/8"
- Lower body height 23-1/2" - 26-1/4"
- Height to aerator/spout outlet 33-1/2" - 36-1/4"
- Flange 5-1/8" x 5-1/8"
- Metal shower hose 49-1/4" with anti-twist device
- Spout flow rate max. 6.5 gpm
- Handshower flow rate max. 1.8 gpm
- Fittings group in compliance with DIN 4109: 1
- NOTE: Local building codes may require the use of an anti-scald device. Please refer to remote pressure balance valve (35 910 970 90)



polished chrome

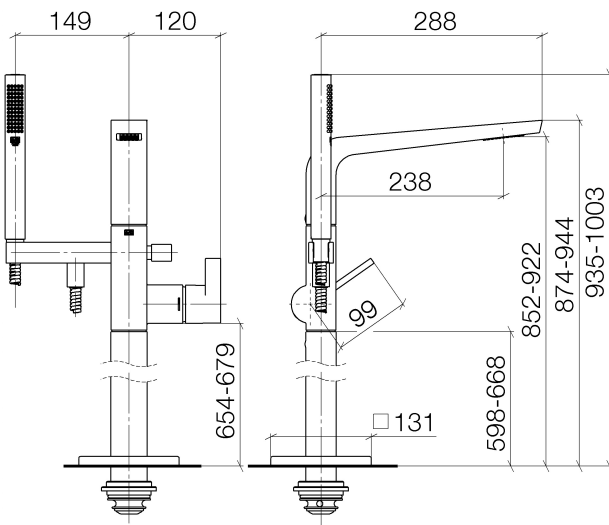
Accessory is required for this item.

**Bathtub - CL.1**

Single-lever tub mixer for freestanding installation with hand shower set - polished chrome

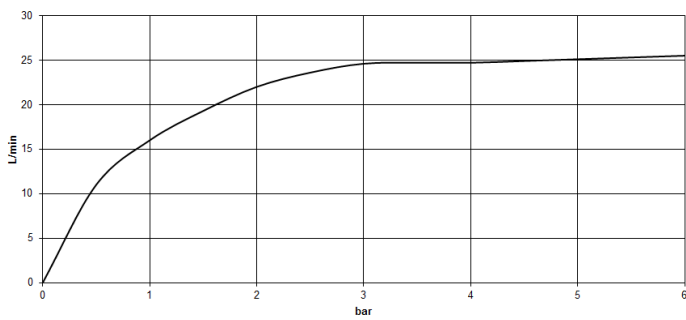
Article number: 25 863 705-00

**Dimensional drawing**



All dimensions in mm / inch = mm x 0,0394

**Flow rate chart**





## Bathtub - CL.1

Single-lever tub mixer for freestanding installation with hand shower set - polished chrome

Article number: 25 863 705-00

### Other surface finishes



platinum matte  
25 863 705-06



Dark Platinum matte  
25 863 705-99

More custom finish options are available via special production (xTra Service). Please see our finish matrix for availability and pricing or contact a Dornbracht representative.

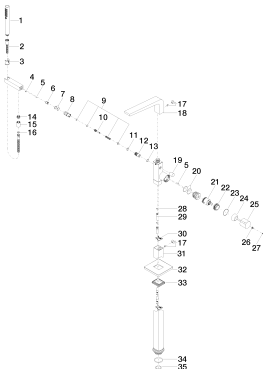
### Required article



35 945 970-90 0010

Floor mounting rough set -

### Spare parts list



Number	Item Number	Designation	Number of units
--------	-------------	-------------	-----------------